

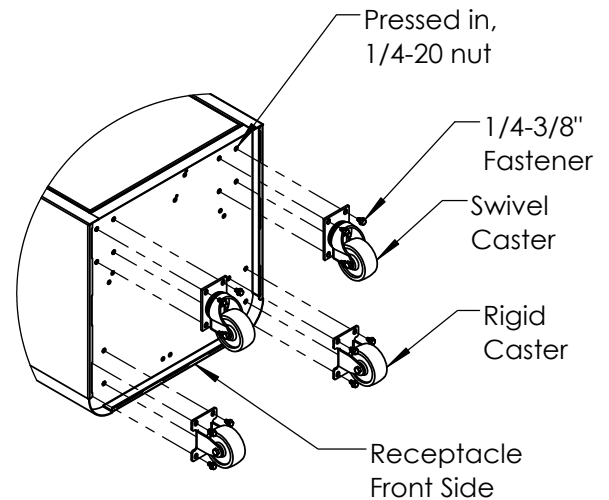
## LD-10 SS Caster Installation & Set Up

***Please read carefully before first use.***

Protective film should not be peeled off until completing all steps.

### Caster Installation

- 1) Carefully lay the front side of the unit down on a flat surface.
- 2) Using the (16) 1/4-20 x 3/8" fasteners provided, attach (2) rigid casters towards the front of the unit, and attach (2) swivel casters towards the back of the unit.
- 3) Place unit upright and proceed with initial set up.

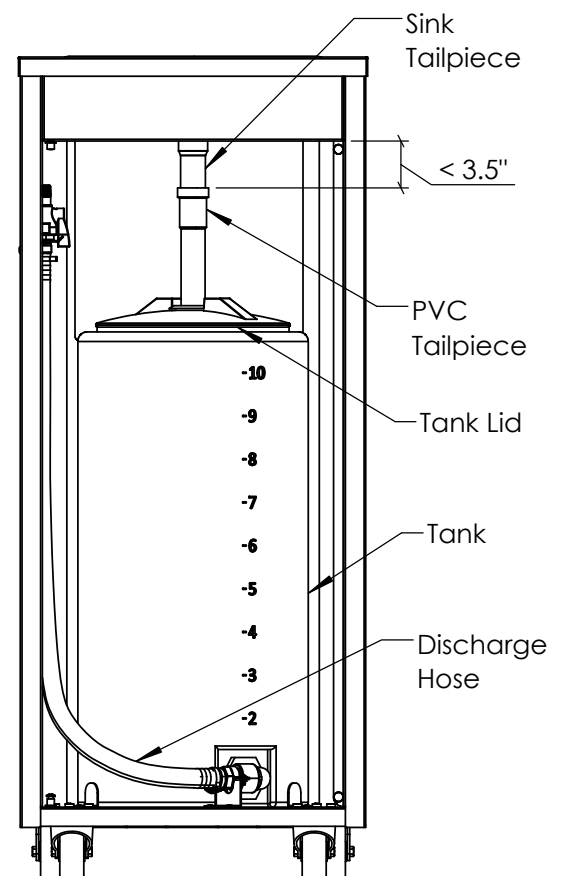


### Initial Set up

- 1) During shipment, plumbing components may have loosened and must be checked prior to use. Begin by checking upper plumbing components.
- 2) Verify PVC tailpiece has not slipped down. Distance from top of PVC locknut to bottom of drain locknut should NOT be less than 3.5".
  - a) If adjustments are necessary, loosen PVC locknut, unscrew tank lid, and push PVC tailpiece into sink tailpiece until snug. Retighten PVC locknut and screw tank lid back on.
- 3) Verify remaining upper plumbing components and hardware are tightened.

***Note: tank lid does not provide a water tight seal. Tank must be regularly emptied before reaching 10 gallon capacity.***

- 4) Check discharge hose for any loose fittings or components and verify valve handle is in the closed position.
- 5) Perform leak test prior to first service use. Inspect and tighten any missed loose fittings or hardware discovered during leak test. Repeat leak test as necessary.



*Note: Tank style may vary.*