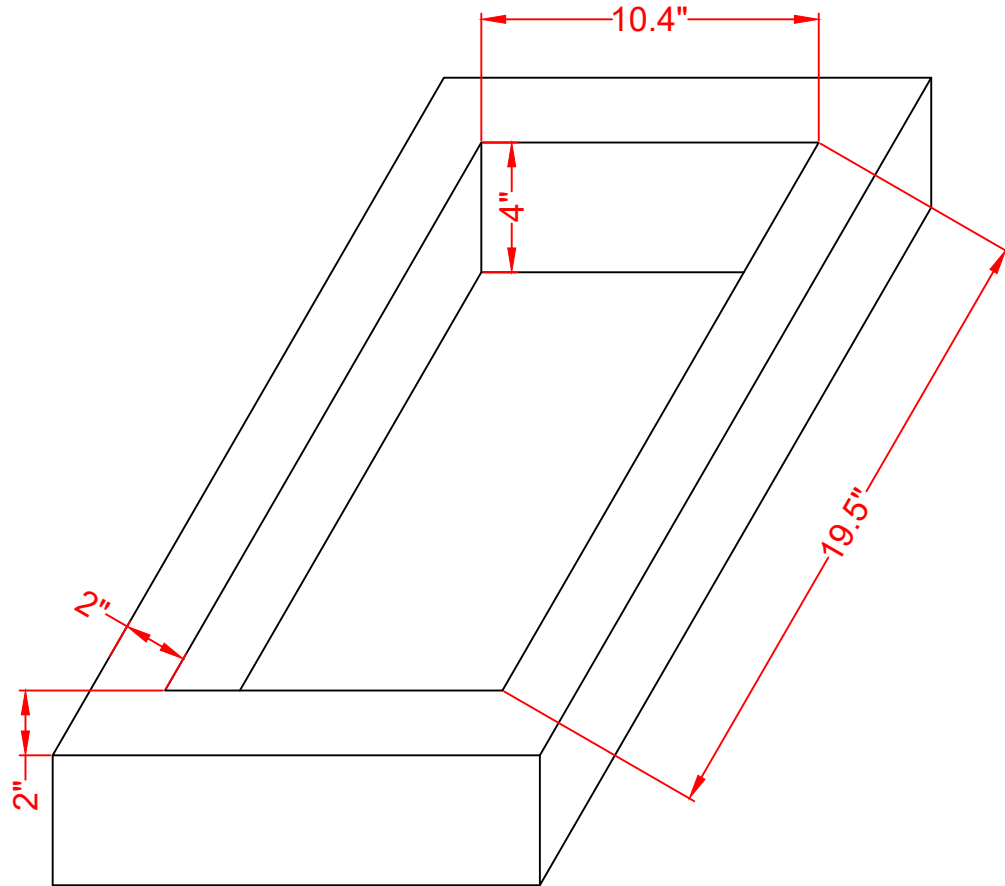
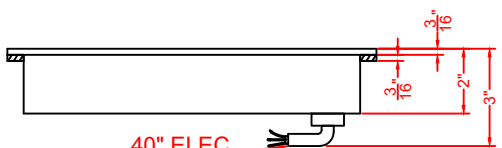


TOP VIEW



CUTOUT



FRONT VIEW

**CRH2BT30115**  
**Cooktop**  
**09/18/23**

**SUMMIT**  
**FELIX STORCH, INC.**  
**www.summitappliance.com**  
**718-893-3900**