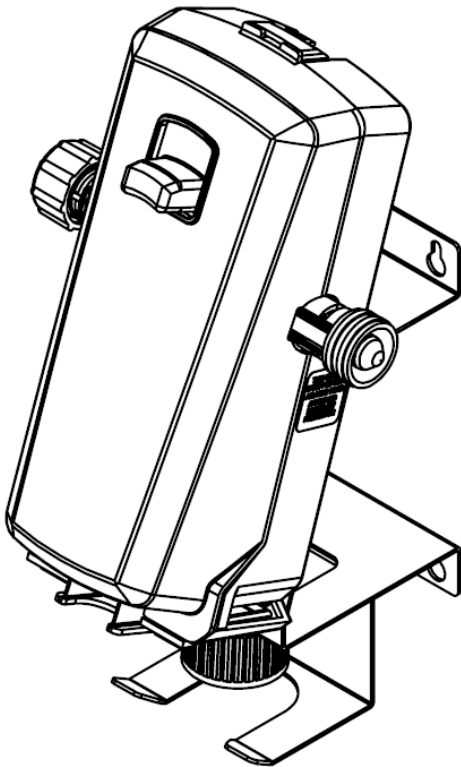


# Single Button Chemical Dispenser

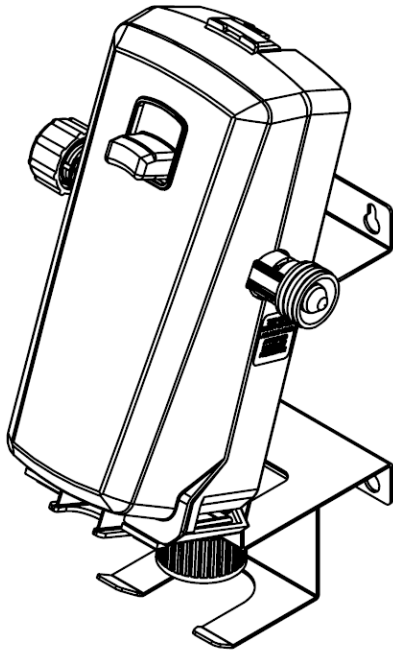
Installation Instructions



## Overview

The Single Button Chemical Dispenser accurately dilutes chemical concentrates with water and dispenses the diluted mixture to fill buckets and scrubbers or fill bottles and small containers.

# I-1100



**Package Contains:**

- Single Button Chemical Dispenser
- Bottle Fill Outlet Tube
- Bucket Fill Outlet Tube w/ Hose Hanger
- Water Inlet Hose 1/2" X 6'
- Mounting Screws
- Wall Anchor

**Suggested Tools:**

- Hammer
- Drill
- Drill Bit
  - Masonry: 1/4" drill bit*
  - Standard: 9/32" drill bit*
- Pencil
- Phillips screwdriver
- Level

## Table of Contents

Package Contents / Suggested Tools	1
Operational Requirements	2
Warnings	2
Installation	2
Operation	3
Troubleshooting	3
Parts List	4
Warranty Information	5

## Operational Requirements

### Water Supply Requirements

	Minimum	Maximum
Water Pressure	20 psi (1.38 bar)	125 psi (8.62 bar)**
Water Temperature	-	150°F (65.5°C)

\*\* Recommended water pressure is between 20 psi (1.38 bar) and 80 psi. (5.52 bar). If pressure exceeds 80 psi, it is recommended that a 60.18 regulator is used.

### Warnings



All installations must conform to local plumbing codes and use approved backflow prevention devices. A pressure indicating tee is to be installed with existing faucets according to local plumbing codes in the state of Wisconsin and any other state that requires the use of a pressure indicating tee.



ALWAYS WEAR PROTECTIVE CLOTHING AND EYEWEAR WHEN WORKING WITH CHEMICAL PRODUCTS

### Installation

1. Select desired location.
2. Use template and level to mark holes for drilling.
3. Pre-drill holes using recommended drill bit and install supplied anchors.
4. Thread screws in top two anchors leaving enough space to hang dispenser on key hole slots.
5. Hang dispenser from screws and confirm dispenser is level.
6. Insert bottom screws in bottom anchors and tighten all screws against dispenser to ensure a secure fit.
7. Select appropriate outlet tubing and push onto proportioner assembly.  
 Use 6' tube with hose hanger for filling automatic scrubbers and mop buckets (**Figure 1**)  
 Use 10" tube for filling bottles (**Figure 2**)  
*\*Tip: Warming the outlet tube end with hot water will ease installation*
8. Connect the supplied water hose to your water source and to the water inlet of the unit.
9. Attach pre-installed cap to the chemical container and slide container into bracket.

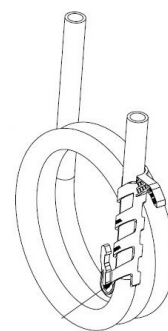


Figure 1



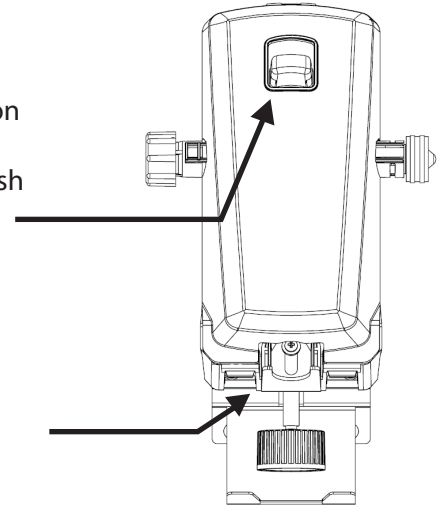
Figure 2

## Operation

*Dispensing of diluted chemical can be performed in a number of ways*

- **Lever / Button Activation** – The unit can be operated by pushing up on the lever. This lever can be locked in an “On” position by depressing the lever inward. To unlock the “On” position, either depress the lever or push up on the bottle fill lever.

- **Bottle Fill Activation** – Slide a bottle up to the bottom of the unit and push up on the shown lever.



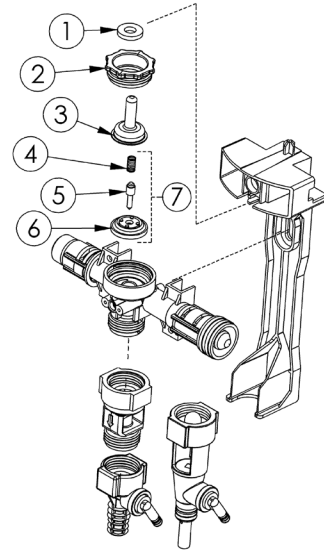
## Troubleshooting

Symptom	Probable Cause	Remedy
Proportioner fails to draw chemical properly.	<ol style="list-style-type: none"> <li>1. Insufficient water supply pressure.</li> <li>2. Mineral deposits are built up in the in the proportioner.</li> </ol>	<ol style="list-style-type: none"> <li>1. 20 PSI is the minimum allowable pressure.</li> <li>2. Soak proportioner in delimer to clean mineral deposits.</li> </ol>
Water valve is not shutting off completely.	<ol style="list-style-type: none"> <li>1. “Sliding lever” return spring may be missing.</li> <li>2. “Sliding lever” is not returning all the way down due to interference between the sliding lever and either the chemical supply and/or outlet tubing.</li> <li>3. Bucket fill outlet hose is catching the bottom edge of the sliding lever during normal usage.</li> </ol>	<ol style="list-style-type: none"> <li>1. Remove cover and visually check for sliding lever return spring. Replace if missing.</li> <li>2. Remove cover and visually check for any tubes rubbing the sliding lever. Routing of chemical supply and outlet tubing must not restrict the movement of the sliding lever. Reroute tubing.</li> <li>3. Don’t pull the bucket fill outlet hose too tight from either side otherwise sliding lever may not return properly.</li> </ol>
Water valve is leaking.	<ol style="list-style-type: none"> <li>1. Enclosing tube nut is too loose.</li> <li>2. The O-ring on the water inlet and outlet fittings may be out-of-position.</li> </ol>	<ol style="list-style-type: none"> <li>1. Shut water supply off first. Hand-tighten the enclosing Hose nut. Do not overtighten w/tool.</li> <li>2. Take the O-ring off and reinstall on end of Male end and push back together.</li> </ol>
Threaded connections are leaking water.	<ol style="list-style-type: none"> <li>1. The connection between the blend center and water supply line is too loose or rubber washer is missing.</li> <li>2. Backflow prevention devices and/or proportioners are too loose.</li> </ol>	<ol style="list-style-type: none"> <li>1. Shut water supply off first. Carefully tighten the female hose coupling on the blend center to the inlet water supply line.</li> <li>2. Check to make sure the washer is in place and carefully tighten</li> </ol>

Parts List

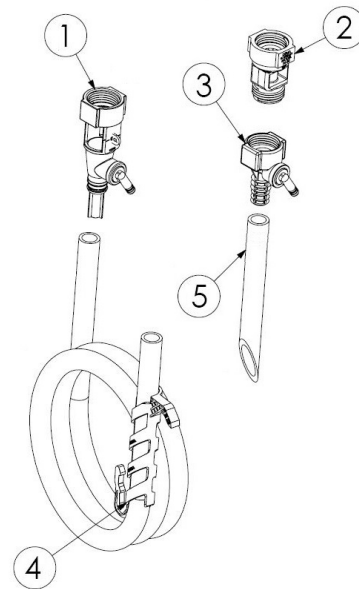
**BOTTLE/HOSE FILL APPLICATIONS**

No.	Part No.	Description
1	63-35	Magnet
2	98-7-2	Enclosing Tube Nut
3	41-7-25	Enclosing Tube
4	98-41-1	Spring
5	98-24-1	Plunger
6	41-15-10	Diaphragm With Center Hole EPDM
7	98-25-1	Bottle/Hose Repair Kit



**BACK FLOW & PROPORTIONING DEVICES**

No.	Part No.	Description
1	61-45-BAG	Proportioner Air Gap Assembly (2.5 GPM)
2	16-30	Action Gap Assembly
3	163CHA-B	Proportioner Gap Assembly (2.5 GPM)
4	98-30-AG	Outlet 9/16" I.D. Hose W/Hanger (6' LG)
4	89-30-GAP	Outlet 1/2" I.D. Hose W/Hanger (6' LG)
5	98-43-1	Tube, 9/16" I.D. Outlet (for Air Gap)(6' LG)
5	98-42-2	Tube, 1/2" I.D. Outlet (for Action Gap)(6' LG)



**LIFT BUTTON, BRACKET AND COVER**

Part No.	Description
89-5-1	Lift Button
63-36	Lift Button Return Spring
89-2-3GRY	Cover, Single (button)
80-83	Wall Bracket

## Warranty

### Merchandise Returns

No merchandise will be returned for credit without manufacturer's written permission. Please contact your dealer for warranty issues.

### Product Warranty

Manufacturer's products are warranted against defective material and workmanship under normal use and service for one year from the date of manufacture. This limited warranty does not apply to any products that have a normal life shorter than one year or failure and damage caused by chemicals, corrosion, physical abuse, or misapplication. Rubber and synthetic rubber parts such as "O"-rings, diaphragms, PVC tubing, and gaskets are considered expendable and are not covered under warranty. This warranty is extended only to the original buyer of manufacturer products. If products are altered or repaired without prior approval of manufacturer, this warranty is void.

Defective units or parts should be returned to the factory with transportation prepaid. If inspection shows them to be defective, they will be repaired or replaced without charge, F.O.B. factory. manufacturer assumes no liability for damages. Return merchandise authorization number must be granted in advance of returned units for repair or replacement (See "Merchandise Returns" above).